

S150

Meter for small flow

DN13/15 y DN20



Functionality and accuracy

S150 water meter is part of the single jet Elster Iberconta's Product Portfolio. Designed for domestic use and following the parameters of normative UNE-EN 14154 one of the most restrictive, this guarantees to offer a high accuracy during the meter lifetime.

Single jet technology

The measuring chamber contains a turbine, which is driven from one direction. The rotational speed of the turbine depends at all times.



Reading transmission

The rotation of the turbine causes the gears movement without a direct water contact and turns the roller banks of the register. The register has a pre-installation to install easily a bidirectional inductive pulser (check PR6 pulser data sheet) or radio integrate module (check TPR11 data sheet). This pulse outputs is 100% compatible with all AMR systems in the market.



Meter with TPR11 module

Main Features

- Copper alloy meter.
- High protection against moisture and damage.
- Magnetic transmission gearless in water.
- Dry type 350° rotating register .
- Register with 5 number wheels for m³.
- Size 13/15 y 20 mm for flow of work from 2,5 to 4 m³/h.
- R160 for horizontal installation and R80 for vertical installation.
- Pre-installation for bidirectional inductive pulse transmitter.
- Lengths and threads compatible with other meters models.
- Water temperature 50°C, although the meter supports 60°C peaks up without deterioration metrological.
- Removable lid.
- Mechanical sealing system that guarantees the inviolability of the meter.
- Certificate agree with UNE-EN14154.
- ACS health conformity certificate.

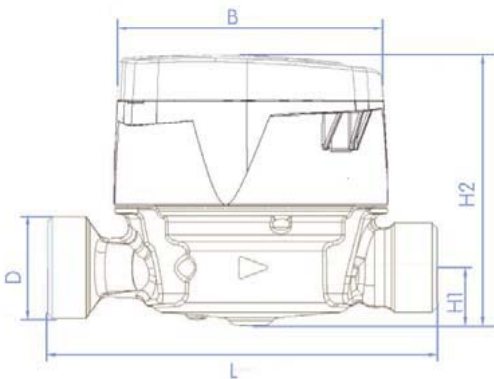


Register



- 5 numbers wheels m³.
- Pulse output.
- Removable lid.
- Magnetic transmission.

Drawing



Warranty:

Meters are warranted for two years from any manufacturing default in his operation and/or materials from the date of delivery. This warranty must be understood as the replacement of the piece or pieces in our workshops. The warranty does not cover damage caused by improper installation, incorrect handling, force majeure, or whether the data provided does not fit the actual conditions of work. By the same, it would be excluded from the security breakdown or failure by the freezing of the fluid in its interior and the consequent increase in the volume of it. For everything not included in this summary, it must be applied the condition of security, that is available under the terms of Elster.

Performance data

Size			13/15		20	
Accuracy			R125	R160	R125	R160
Max. Flow Rate	Q4 (±2%)	m ³ /h	3,125	3,125	5	5
Permanent Flow Rate	Q3 (±2%)	m ³ /h	2,5	2,5	4	4
Transitional Flow Rate	Q2 (±2%)	l/h	32	25	51,2	40
Min. Flow Rate	Q1 (±5%)	l/h	20	15,625	32	25
Starting Flow Rate		l/h	3,5 - 5		5,5 - 7	
Press. Loss at Q3		bar	0,6		0,6	
Nominal Press	PN	bar	16		16	

Output data

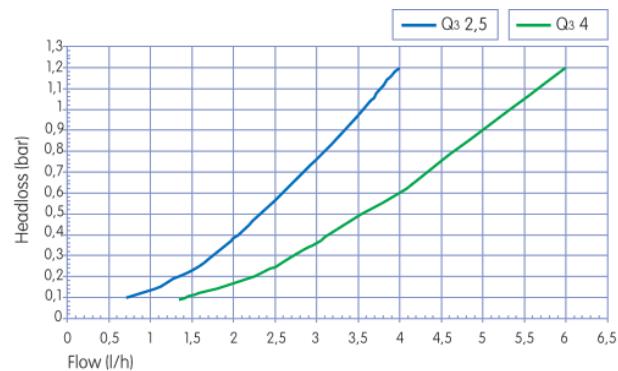
Display Resolution		litro	0,05
Max. Display		m ³	99.999
Pulse output		l/p	1

Weights & Dimensions

Distance across threads	L	mm	100* a 190	115 a 190
Height lid open		mm	130	130
Height lid closed	H2	mm	72	72
Height center line	H1	mm	18	18
Width	B	mm	100	100
Threads	D	"	7/8x3/4 3/4x3/4	1x1
Weight aprox.		Kg	0,6	0,75

* For length 100 threads 3/4 x 1/2

S150 Headloss



S150 meter accuracy for R125

