



Over 50 years Service

# Nairobi Ironmongers Ltd.

NIL House, Homabay Road,  
P. O. Box 43524, Nairobi 00100, Kenya

Tel: 020 655 8805 / 655 5879

Mobile: 0720 521 625 / 0734 521 625

Email: info@nil1949.com

www.nil1949.com

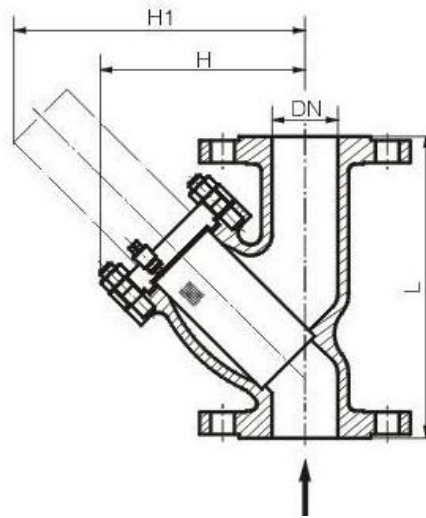


Registration no: 2001

VAT no: 0020635L

PIN no: P000591403E

## Y TYPE STRAINER



DN	50	65	80	100	125	150	200	250	300	350	400	500
L (MM)	300	320	380	430	500	550	650	775	900	1025	1150	1250
H (MM)	155	210	210	250	305	358	450	503	578	598	618	690
H1 (MM)	195	295	295	344	415	485	602	710	815	844	872	950

Parts Name	BODY	FILTER ( Screen)	O ring	<b>Flanged</b>
Material	DI	Stainless	NBR	<b>BS 4504 PN 16/10</b>